



SK-607

TECHNICAL DATA

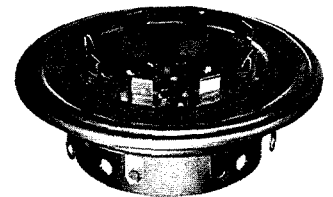
AIR-SYSTEM
SOCKET

The SK-607 socket provides terminal connections and a low-inductance screen bypass capacitor for the power tubes listed below. The SK-607 may be used with other tube types having similar basing which require a full complement of base-pin contacts.

This air-system socket is recommended for use with the following tubes:

8809/4CX600J

8921/4CX600JA



Normal installation is on a pressurized chassis or plenum, with the recommended chassis cutout for adequate air flow, and the proper chimney to match the anode of the tube involved and direct the air flow through the tube anode cooling fins.

The base contact fingers and the screen terminal fingers are heat-treated beryllium copper. The base contact fingers are supported and insulated by polytrifluoroethylene, an excellent insulating material even at ultra-high frequencies. All contact fingers and the brass shell are silver plated to insure good contact and to resist corrosion.

All base terminals are brought out separately. The screen bypass capacitor is hermetically sealed to protect against moisture and dirt.

The bypass capacitor has a capacitance of 2700 ± 500 pF and is rated for a working voltage of 1000 Vdc.

INSTALLATION

The socket can be mounted on a chassis deck or partition with no modification to the socket. Chassis mounting is accomplished by cutting a 2-17/64 inch diameter hole in the chassis, and additional air-flow slots as shown with the outline drawing and marked CHASSIS CUTOUT PATTERN REQUIRED. The socket is held securely by the four toe clamps provided. The provision of the additional air-flow slots is important in order to keep system pressure drop at a low level for the required cooling air for the tube anode cooling fins.

If the socket is to be used in a coaxial line, it may be mounted directly on the end of the input line outer conductor. The socket skirt fits snugly on a 1-5/8 inch diameter cylinder and four screw holes are provided for fastening as shown in the outline drawing. The designer is cautioned to allow for additional air passage around the socket in order to keep required system pressure at a low level.

CHIMNEY

The SK-646 chimney is available for use with the 8809/4CX600J. The SK-656 chimney is designed for use with the 8921/4CX600JA. The chimney is mounted above the chassis deck and is held in place with four chimney clips, which are supplied with the chimney. The required mounting holes for the chimney clips are shown on the CHASSIS CUTOUT PATTERN drawing.

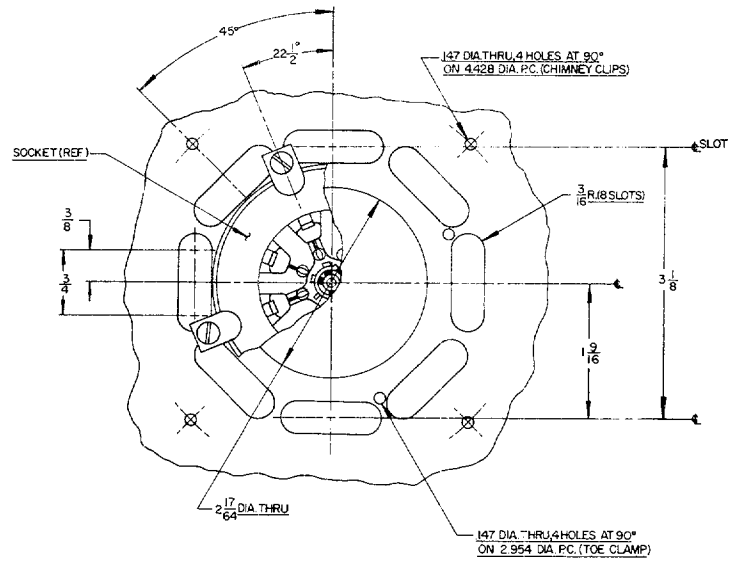
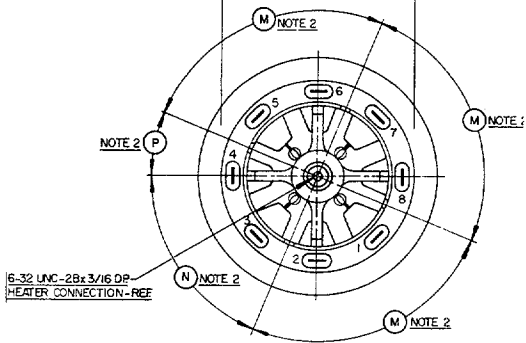
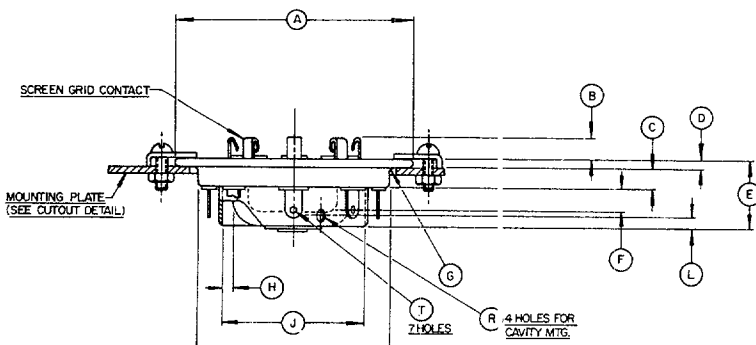
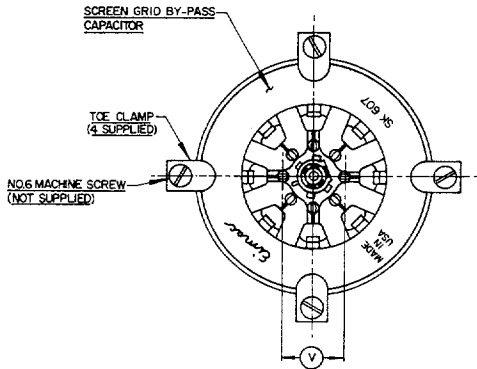
NET WEIGHT FOR SK-607 SOCKET (Approximate) 3.5 oz; 99.3 gm

DIMENSIONAL DATA

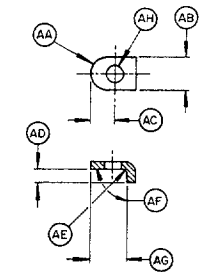
DIM.	INCHES			MILLIMETERS		
	MIN.	MAX.	REF.	MIN.	MAX.	REF.
A	2.688	2.750	--	68.27	69.85	--
B	.234	.266	--	5.94	6.76	--
C	.203	.235	--	5.16	5.97	--
D	.125	.157	--	3.17	3.99	--
E	.844	.906	--	21.44	23.01	--
F	--	--	.250	--	--	.635
G	--	.031R	--	--	0.79R	--
H	--	--	.078	--	--	1.98
J	1.6331D	1.6431D	--	41.48	41.73	--
K	2.188	2.208	--	55.57	56.08	--
L	.172	.204	--	4.37	5.18	--
M	89°	91°	--	89°	91°	--
N	66.5°	68.5°	--	66.5°	68.5°	--
P	21.5°	23.5°	--	21.5°	23.5°	--
R	--	--	.144 DIA.	--	--	3.66 DIA.
T	--	--	.090 DIA.	--	--	2.29 DIA.
V	--	--	.687 DIA.	--	--	17.45 DIA.
AA	.125R	.187R	--	3.17R	4.75R	--
AB	.292	.332	--	7.42	8.43	--
AC	.292	.332	--	7.42	8.43	--
AD	.105	.145	--	2.67	3.68	--
AE	--	.062R	--	--	1.57	--
AF	80°	100°	--	80°	100°	--
AG	.417	.457	--	10.59	11.61	--
AH	.142	.146	--	3.61	3.71	--

NOTES:
 1. REF DIMENSIONS ARE FOR INFO ONLY & ARE NOT REQUIRED FOR INSPECTION PURPOSES.

- CONNECTIONS**
 NO.1 SCREEN GRID
 NO.2 CONTROL GRID
 NO.3 CATHODE
 NO.4 HEATER GRID
 NO.5 HEATER
 NO.6 CATHODE
 NO.7 CONTROL GRID
 NO.8 CATHODE



CHASSIS CUTOUT PATTERN REQ'D FOR ADEQUATE COOLING. USE SK 646 CHIMNEY WITH THIS SOCKET.



TOE CLAMP DETAIL